

2020

# Tanova Designer Series



TANOVA





About Tanova  
Page 4 - 5



Tanova Designer Series - Waste  
Page 6 - 17



Tanova Simplex Plus - Waste  
Page 18



Tanova Simplex - Waste  
Page 19 - 21



Tanova Basic - Waste Bin Frame  
Page 22



Tanova Accessories - Waste  
Page 23



Individual Bins - Waste  
Page 24 - 25



Tanova Designer Series - Laundry  
Page 26 - 33



Tanova Simplex - Laundry  
Page 34 - 35

# TANOVA

## About Tanova

The range of Tanova pull out bins and baskets offers space-efficient storage and waste solutions for kitchen and laundry. Kitchen bins and laundry baskets slide away out of sight, yet are easily accessed when needed.

The pull out kitchen rubbish bins are hygienic and easy to clean, with most models having a top mounted cover that acts as an odour-minimiser when the unit is closed. Multiple bin/basket configurations offer excellent solutions for sorting/storing recyclables and kitchen waste or, in the laundry, for pre-sorting loads before washing. Whether your project is a new home, a kitchen renovation or a laundry makeover, make sure you see the Tanova range!



**Designed and  
Assembled in  
New Zealand**



NEW Tanova Designer Series - Premium Drawers by

**harn** RITMA cube

## NEW Tanova Designer Series

Tanova Designer Series pull out kitchen rubbish bins & laundry hampers feature super smooth sliding runners from Harn RITMA, for effortless opening and closing every time. These Tanova pull out, soft close waste bins/ hampers offer a large range of sizes to seamlessly fit into your kitchen / laundry cabinets.

- Fully integrated cushioning system for consistent soft closing and smooth-running drawer slides for effortless opening and closing
- Designer Series - available in both kitchen waste & laundry
- Heavy duty 60kg load capacity
- Available in contemporary Charcoal/ Umbra Grey combinations and Classic White



## TANOVA Tanova Simplex & Simplex Plus



Tanova Simplex - Kitchen Waste - Page 18 - 21  
- Laundry - Page 34

## BOKASHI COMPOSTING SYSTEM BY TANOVA

## NEW Tanova Composting System



Tanova Bokashi - Page 6 - 7

1

**FOOD WASTE**

Add food waste to your pull out Bokashi bucket, compacting as you go



2

**ACTIVATE**

Add Bokashi bran, the 'magical' food and microorganisms that will turn your kitchen scraps into 'superfood' for your garden



3

**LIQUID GOLD**

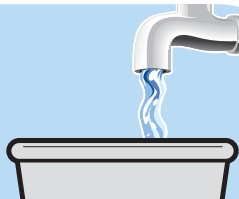
Use the handy tap to drain out Bokashi fluid every 2-3 days



1

**DILUTE**

Add water to the fluid from the Bokashi by Tanova bucket



2

**FEED YOUR GARDEN**

Dig the bucket contents into your soil and spray the diluted liquid onto plants



3

**WATCH YOUR GARDEN GROW**

The Bokashi mix provides powerful, concentrated nutrients and accelerates garden growth



# BOKASHI

COMPOSTING SYSTEM BY TANOVA

**Bokashi by Tanova, a convenient pull out composting system that turns food waste into garden superfood. Responsible, safe, sustainable . . . and rewarding too!**

- Easy to use, hygienic kitchen based system
- Comprehensive; ALL food waste, even meat and dairy
- Airtight lid creates anaerobic (no oxygen) fermentation so no icky odours
- Faster than traditional composting
- Reduces food waste to landfill: Australian estimates are that 4 million tonnes of food ends up as landfill, enough to fill 8,400 Olympic sized swimming pools! And 50% of that is avoidable.
- Saves money: The Australian government calculates that food waste costs the economy \$20 billion per year.
- Adds the good stuff back into your soil
- Environmentally Friendly



# BOKASHI

COMPOSTING SYSTEM BY TANOVA

## 400mm Tanova Designer Series BOKASHI Soft Close Composting Bin System

- Lifetime Warranty
- Fully integrated over-extension soft-close Harn RITMA Cube drawer system
- Streamlined design for reduced grime buildup and easy cleaning
- Extruded aluminium side ensures the framework is rigid to avoid the unit twisting as its operated
- Strong easy-clean metal cover which can be used as a shelf if mounted lower in cabinet
- Tall sided frame
- Designed for 400mm cabinet size (external width using 16mm board)
- 60kg load rated soft-closing slides
- 2 x 20L Buckets with taps
- 1 x 4.5L Bokashi Mix Storage bucket, 2 x compacting tools, 2 x drainer cups
- 6-way drawer front adjustment



## Bokashi Bin To Suit 400mm Cabinet 2 x 20 Litre & 1 x 4.5L Buckets

- Finish: Umbra Grey, Black Bokashi Bucket (UGY)

Part No.	Finish	W mm	H mm	D mm	Sold Per
TDS40.BOK	UGY	767	615	510	ea

W = Internal width required H = Minimum internal height D = Minimum internal depth



## Bokashi Mix - 1kg

- 1kg Resealable Ziplock Bag
- Made in Australia from a mixture of wheat bran & rice husks sprayed with a group of organic micro-organisms that exist freely in nature.
- Micro-organisms activate when added to waste
- Along with the Bokashi Bin, the mix ferments the waste, eliminating unpleasant odours

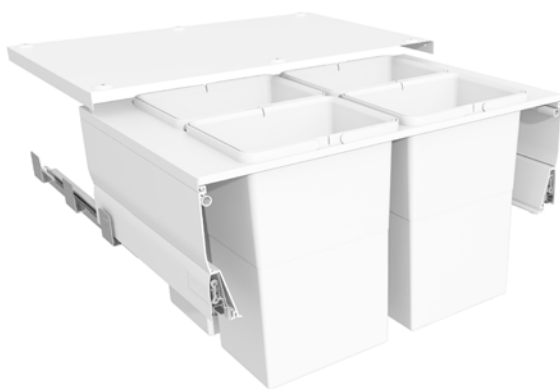
Part No.	Description	Sold Per
BOKASHI.MIX	1kg Bokashi Bran	ea





## 800mm Tanova Designer Series Soft Close Waste Bin System

- Lifetime Warranty
- Fully integrated over-extension soft-close Harn RITMA Cube drawer system
- Streamlined design for reduced grime buildup and easy cleaning
- Extruded aluminium side ensures the framework is rigid to avoid the unit twisting as its operated
- Sturdy handles on buckets for easy bin removal and to hold plastic liner-bags in place
- Strong easy-clean metal cover which can be used as a shelf if mounted lower in cabinet
- Very quick and easy installation
- Designed for 800mm cabinet size (external width using 16mm board)
- 60kg load rated soft-closing slides
- 6-way drawer front adjustment



## Soft Close Bin To Suit 800mm Cabinet 4 x 24 Litre Buckets

- Finish: White (WH)

Part No.	Finish	W mm	H mm	D mm	Sold Per
TDS80.424	WH	767	450	510	ea

W = Internal width required H = Minimum internal height D = Minimum internal depth

# TANOVA

## 600mm Tanova Designer Series Soft Close Waste Bin System

- Lifetime Warranty
- Fully integrated over-extension soft-close Harn RITMA Cube drawer system
- Streamlined design for reduced grime buildup and easy cleaning
- Extruded aluminium side ensures the framework is rigid to avoid the unit twisting as its operated
- Sturdy handles on buckets for easy bin removal and to hold plastic liner-bags in place
- Strong easy-clean metal cover which can be used as a shelf if mounted lower in cabinet
- Very quick and easy installation
- Designed for 600mm cabinet size (external width using 16mm board)
- 60kg load rated soft-closing slides
- 2 bucket combinations
- 6-way drawer front adjustment



### Soft Close Bin To Suit 600mm Cabinet 2 x 20 Litre Buckets

- Finish: White (WH)

Part No.	Finish	W mm	H mm	D mm	Sold Per
TDS60.220	WH	567	340	510	ea

W = Internal width required H = Minimum internal height D = Minimum internal depth



### Soft Close Bin To Suit 600mm Cabinet 2 x 36 Litre Buckets

- Finish: White (WH)

Part No.	Finish	W mm	H mm	D mm	Sold Per
TDS60.236	WH	567	670	510	ea

W = Internal width required H = Minimum internal height D = Minimum internal depth





## 450mm Tanova Designer Series Soft Close Waste Bin System

- Lifetime Warranty
- Fully integrated over-extension soft-close Harn RITMA Cube drawer system
- Streamlined design for reduced grime buildup and easy cleaning
- Extruded aluminium side ensures the framework is rigid to avoid the unit twisting as its operated
- Sturdy handles on buckets for easy bin removal and to hold plastic liner-bags in place
- Strong easy-clean metal cover which can be used as a shelf if mounted lower in cabinet
- Very quick and easy installation
- Designed for 450mm cabinet size (external width using 16mm board)
- 60kg load rated soft-closing slides
- 3 bucket combinations in 2 finishes
- 6-way drawer front adjustment



## Soft Close Bin To Suit 450mm Cabinet 2 x 24 Litre Buckets

- Finish: White (WH)

Part No.	Finish	W mm	H mm	D mm	Sold Per
TDS45.224	WH	417	450	510	ea

W = Internal width required H = Minimum internal height D = Minimum internal depth



# TANOVA

## Soft Close Bin To Suit 450mm Cabinet 2 x 20 Litre Buckets

- Install one above the other in a standard height cabinet for maximum capacity
- Finish: White (WH)

Part No.	Finish	W mm	H mm	D mm	Sold Per
TDS45.220	WH	417	340	510	ea

W = Internal width required H = Minimum internal height D = Minimum internal depth



## Soft Close Bin To Suit 450mm Cabinet 2 x 20 Litre Buckets

- Install one above the other in a standard height cabinet for maximum capacity
- Finish: Umbra Grey (UGY)

Part No.	Finish	W mm	H mm	D mm	Sold Per
TDS45.220	UGY	417	340	510	ea

W = Internal width required H = Minimum internal height D = Minimum internal depth



## Soft Close Bin To Suit 450mm Cabinet 2 x 36 Litre Buckets

- Finish: White (WH)

Part No.	Finish	W mm	H mm	D mm	Sold Per
TDS45.236	WH	417	670	510	ea

W = Internal width required H = Minimum internal height D = Minimum internal depth



## Soft Close Bin To Suit 450mm Cabinet 2 x 36 Litre Buckets

- Finish: Umbra Grey (UGY)

Part No.	Finish	W mm	H mm	D mm	Sold Per
TDS45.236	UGY	417	670	510	ea

W = Internal width required H = Minimum internal height D = Minimum internal depth





TANOVA

### 400mm Tanova Designer Series Soft Close High Side Waste Bin System

- Lifetime Warranty
- Fully integrated over-extension soft-close Harn RITMA Cube drawer system
- Streamlined design for reduced grime buildup and easy cleaning
- Extruded aluminium side ensures the framework is rigid to avoid the unit twisting as its operated
- Sturdy handles on buckets for easy bin removal and to hold plastic liner-bags in place
- Strong easy-clean metal cover which can be used as a shelf if mounted lower in cabinet
- Very quick and easy installation
- Designed for 400mm cabinet size (external width using 16mm board)
- 60kg load rated soft-closing slides
- 4 bucket combinations and 2 finishes
- 6-way drawer front adjustment



### Soft Close Bin To Suit 400mm Cabinet 1 x 20 Litre Buckets

- Finish: White (WH)

Part No.	Finish	W mm	H mm	D mm	Sold Per
TDS40.120	WH	367	340	510	ea

W = Internal width required H = Minimum internal height D = Minimum internal depth



### Soft Close Bin To Suit 400mm Cabinet 1 x 36 Litre Buckets

- Finish: White (WH)

Part No.	Finish	W mm	H mm	D mm	Sold Per
TDS40.136	WH	367	670	510	ea

W = Internal width required H = Minimum internal height D = Minimum internal depth

# TANOVA

## Soft Close Bin To Suit 400mm Cabinet 2 x 18 Litre Buckets

- Finish: White (WH)

Part No.	Finish	W mm	H mm	D mm	Sold Per
TDS40.218	WH	367	355	510	ea

W = Internal width required H = Minimum internal height D = Minimum internal depth

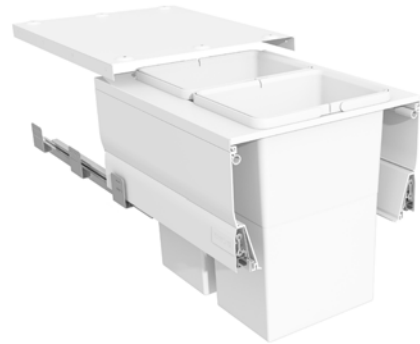


## Soft Close Bin To Suit 400mm Cabinet 2 x 24 Litre Buckets

- Finish: White (WH)

Part No.	Finish	W mm	H mm	D mm	Sold Per
TDS40.224	WH	367	450	510	ea

W = Internal width required H = Minimum internal height D = Minimum internal depth



## Soft Close Bin To Suit 400mm Cabinet 2 x 24 Litre Buckets

- Finish: Umbra Grey (UGY)

Part No.	Finish	W mm	H mm	D mm	Sold Per
TDS40.224	UGY	367	450	510	ea

W = Internal width required H = Minimum internal height D = Minimum internal depth





TANOVA

### 350mm Tanova Designer Series Soft Close High Side Waste Bin System

- Lifetime Warranty
- Fully integrated over-extension soft-close Harn RITMA Cube drawer system
- Streamlined design for reduced grime buildup and easy cleaning
- Extruded aluminium side ensures the framework is rigid to avoid the unit twisting as its operated
- Sturdy handles on buckets for easy bin removal and to hold plastic liner-bags in place
- Strong easy-clean metal cover which can be used as a shelf if mounted lower in cabinet
- Very quick and easy installation
- Designed for 350mm cabinet size (external width using 16mm board)
- 60kg load rated soft-closing slides
- 1 popular bucket combination
- 6-way drawer front adjustment



### Soft Close Bin To Suit 350mm Cabinet 2 x 18 Litre Buckets

- Finish:White (WH)

Part No.	Finish	W mm	H mm	D mm	Sold Per
TDS35.218	WH	317	428	510	ea

W = Internal width required H = Minimum internal height D = Minimum internal depth

# TANOVA

## 350mm Tanova Designer Series Soft Close Waste Bin System

- Lifetime Warranty
- Fully integrated over-extension soft-close Harn RITMA Cube drawer system
- Streamlined design for reduced grime buildup and easy cleaning
- Extruded aluminium side ensures the framework is rigid to avoid the unit twisting as its operated
- Sturdy handles on buckets for easy bin removal and to hold plastic liner-bags in place
- Strong easy-clean metal cover which can be used as a shelf if mounted lower in cabinet
- Very quick and easy installation
- Designed for 350mm cabinet size (external width using 16mm board)
- 60kg load rated soft-closing slides
- 2 bucket combinations
- 6-way drawer front adjustment



### Soft Close Bin To Suit 350mm Cabinet 1 x 20 Litre Buckets

- Finish:White (WH)

Part No.	Finish	W mm	H mm	D mm	Sold Per
TDS35.120	WH	317	340	510	ea

W = Internal width required H = Minimum internal height D = Minimum internal depth



### Soft Close Bin To Suit 350mm Cabinet 1 x 36 Litre Buckets

- Finish:White (WH)

Part No.	Finish	W mm	H mm	D mm	Sold Per
TDS35.136	WH	317	670	510	ea

W = Internal width required H = Minimum internal height D = Minimum internal depth

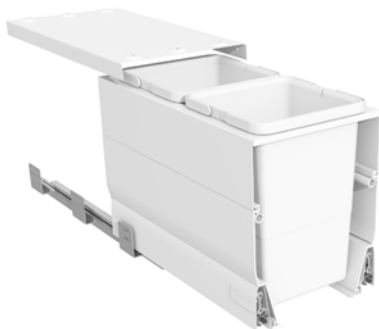




TANOVA

### 300mm Tanova Designer Series Soft Close High Side Waste Bin System

- Lifetime Warranty
- Fully integrated over-extension soft-close Harn RITMA Cube drawer system
- Streamlined design for reduced grime buildup and easy cleaning
- Extruded aluminium side ensures the framework is rigid to avoid the unit twisting as its operated
- Sturdy handles on buckets for easy bin removal and to hold plastic liner-bags in place
- Strong easy-clean metal cover which can be used as a shelf if mounted lower in cabinet
- Very quick and easy installation
- Designed for 300mm cabinet size (external width using 16mm board)
- 60kg load rated soft-closing slides
- 1 popular bucket combination
- 6-way drawer front adjustment



### Soft Close Bin To Suit 300mm Cabinet 2 x 12 Litre Buckets

- Finish: White (WH)

Part No.	Finish	W mm	H mm	D mm	Sold Per
TDS30.212	WH	267	388	510	ea

W = Internal width required H = Minimum internal height D = Minimum internal depth

# TANOVA

## 450mm Tanova Designer Series Soft Close Waste Bin System

- Lifetime Warranty
- Fully integrated over-extension soft-close Harn RITMA Cube drawer system
- Streamlined design for reduced grime buildup and easy cleaning
- Extruded aluminium side ensures the framework is rigid to avoid the unit twisting as its operated
- Sturdy handles on buckets for easy bin removal and to hold plastic liner-bags in place
- Strong easy-clean metal cover which can be used as a shelf if mounted lower in cabinet
- Very quick and easy installation
- Designed for 450mm cabinet size (external width using 16mm board)
- 60kg-load rated soft-closing slides
- Single Bucket
- 6-way drawer front adjustment



## Soft Close Bin To Suit 450mm Cabinet 1 x 50 Litre Bucket

- Finish: White (WH)

Part No.	Finish	W mm	H mm	D mm	Sold Per
TDS45.50	WH	417	595	460	ea

W = Internal width required H = Minimum internal height D = Minimum internal depth





### 400/450mm Tanova Simplex Plus Soft Close Waste Bin System

- Fully integrated soft-close drawer system
- Sturdy handles on buckets for easy bin removal and to hold plastic liner-bags in place
- Very quick and easy installation for modular cabinets using 16mm sides
- Designed for 400mm cabinet size (external width using 16mm board)
- 35kg load rated Harn RIMTA Cube soft-closing slides
- 6-way drawer front adjustment



### Soft Close Bin To Suit 400mm Cabinet 2 x 24 Litre Buckets

- Finish: White (WH)

Part No.	Finish	W mm	H mm	D mm	Sold Per
TSP40S.224	WH	367	450	510	ea

W = Internal width required H = Minimum internal height D = Minimum internal depth



### Soft Close Bin To Suit 450mm Cabinet 2 x 24 Litre Buckets

- Finish: White (WH)

Part No.	Finish	W mm	H mm	D mm	Sold Per
TSP45S.224	WH	417	450	510	ea

W = Internal width required H = Minimum internal height D = Minimum internal depth

# TANOVA

## 300mm Tanova Simplex Bin System

- Heavy-duty bin carriage manufactured from 1.2mm gauge steel for added strength and durability
- Designed with top and side screw fixing points so it fits snugly into standard cabinet sizes and maximises stability
- Large cutouts in front-mount bracket allows easy fitting of handles
- Lock-off point secures drawer front in place once adjusted
- Slotted screw holes for extra adjustment when fitting drawer front
- Runners extend beyond bench top to allow easy removal of rear bucket
- The top-mounting cover acts as a lid to conceal waste
- Handles on buckets allow easy removal and hold plastic liners in place
- 45kg load rating



## Tanova Simplex Bin To Suit 300mm Cabinet 2 x 12 Litre Buckets

- Internal width required = 245mm
- Minimum internal height = 350mm
- Minimum internal depth = 511mm
- Finish: White (WH)



Part No.	Finish	Description	Sold Per
TB30S.212	WH	Soft Close Drawer type	ea

## Tanova Simplex Bin To Suit 300mm Cabinet 1 x 24 Litre Bucket

- Internal width required = 245mm
- Minimum internal height = 445mm
- Minimum internal depth = 365mm
- Finish: White (WH)



Part No.	Finish	Description	Sold Per
TS30S.124	WH	Soft Close Drawer type	ea



### 350mm Tanova Simplex Bin System

- Heavy-duty bin carriage manufactured from 1.2mm gauge steel for added strength and durability
- Designed with top and side screw fixing points so it fits snugly into standard cabinet sizes and maximises stability
- Large cutouts in front-mount bracket allows easy fitting of handles
- Lock-off point secures drawer front in place once adjusted
- Slotted screw holes for extra adjustment when fitting drawer front
- Runners extend beyond bench top to allow easy removal of rear bucket
- The top-mounting cover acts as a lid to conceal waste
- Handles on buckets allow easy removal and hold plastic liners in place
- 2 bucket combinations
- Finish: White (WH), Umbra Grey (UGY)

### Tanova Simplex Bin To Suit 350mm Cabinet 2 x 24 Litre Buckets



- Internal width required = 317mm
- Minimum internal height = 445mm
- Minimum internal depth = 511mm
- Finish: White (WH), Umbra Grey (UGY)

Part No.	Finish	Description	Sold Per
TB35S.224	WH, UGY	Drawer type soft-close	ea
TB35H.224	WH	Handle type non-soft close	ea
TB35P.224	WH	Drawer type push-to-open	ea

### Tanova Simplex Bin To Suit 350mm Cabinet 1 x 24 Litre Bucket



- Internal width required = 317mm
- Minimum internal height = 445mm
- Minimum internal depth = 310mm
- Finish: White (WH)

Part No.	Finish	Description	Sold Per
TS35S.124	WH	Soft Close Drawer type	ea

# TANOVA

## 400mm Tanova Simplex Bin System

- Heavy-duty bin carriage manufactured from 1.2mm gauge steel for added strength and durability
- Designed with top and side screw fixing points so it fits snugly into standard cabinet sizes and maximises stability
- Large cutouts in front-mount bracket allows easy fitting of handles
- Lock-off point secures drawer front in place once adjusted
- Slotted screw holes for extra adjustment when fitting drawer front
- Runners extend beyond bench top to allow easy removal of rear bucket
- The top-mounting cover acts as a lid to conceal waste



## Tanova Simplex Bin to Suit 400mm Cabinet 1 x 50 Litre Bucket

- Internal width required = 360mm
- Minimum internal height = 585mm
- Minimum internal depth = 415mm
- Finish: White (WH)

Part No.	Finish	Description	Sold Per
TS40S.150	WH	Soft Close Drawer type	ea





### 400mm Tanova Waste Bin Frame System

- Can be retrofitted to any drawer system
- Frame must be fixed to drawer base with screws
- Designed for 400mm cabinet size (external width using 16mm board)
- Frame & Bins only (Drawer not included)
- Bin lids are included as shown



### Tanova Waste Bin Frame To Suit 400mm Cabinet - 2 x 24 Litre Buckets

- Finish: White (WH)

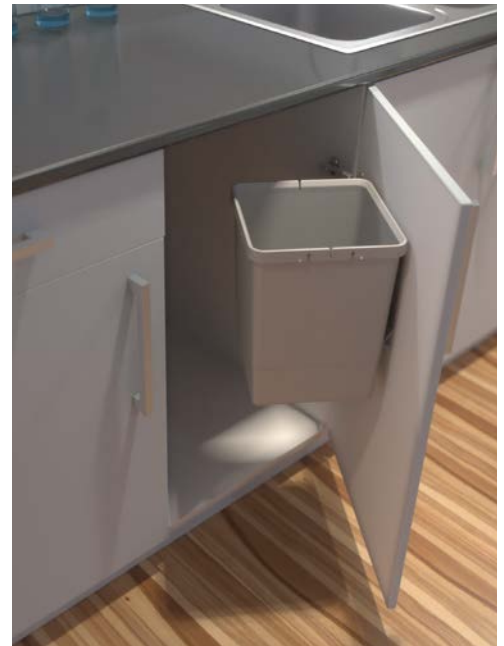
Part No.	Finish	W mm	H mm	D mm	Sold Per
TBF40.224	WH	367	445	470	ea

W = Internal width required H = Minimum internal height D = Minimum internal depth

# TANOVA

## Cabinet Door Mounting Bracket

- Enables cupboard door mounting of any Tanova waste bin bucket
- Bracket only - bin not included
- Suits 12, 18 & 24 Litre buckets
- Perfect for vanity installations
- This is ideal for installation under kitchen sinks as there is no pop-up lid to interfere with under sink plumbing.
- Finish: Stainless Steel (SS)



Part No.	Finish	Sold Per
EBTBFCD	SS	ea

## Tanova Side-Mounting Brackets

- These brackets allow you to side mount any of the Simplex range of bins under a sink to one side of the cabinet when the system can't be top fixed
- Brackets sold in pairs - complete with fixings
- Brackets only - bin not included
- Finish: White (WH)



Part No.	Finish	Modular Cabinets Width	Sold Per
TS30BK	WH	300	pr
TS35BK	WH	350	pr

**Note:** Always allow an extra 20mm to waste bin width when using side-mount brackets

## Door Marking Jigs

- These specially designed jigs make attaching drawer fronts a breeze. Simply push them in through the horizontal slotted holes, turn 90° and centralise, then line up your drawer front and tap it against the spikes on the jigs. You now have your screw fixing points



Part No.	Sold Per
TBDFJ	pr



### Tanova Bucket - 50 Litre

- 50 Litre bucket
- Recyclable plastic
- Finish: White (WH)

Part No.	Finish	W mm	H mm	D mm	Sold Per
EB50	WH	350	570	350	ea

W = Width H = Height D = Depth



### Tanova Bucket - 36 Litre

- 36 Litre bucket
- Handles act as bag retainer
- Recyclable plastic
- Finish: White (WH), Charcoal (CH)

Part No.	Finish	W mm	H mm	D mm	Sold Per
EB36	WH, CH	384	650	244	ea

W = Width H = Height D = Depth



### Tanova Bucket - 24 Litre

- 24 Litre bucket
- Handles act as bag retainer
- Recyclable plastic
- Finish: White (WH), Charcoal (CH)

Part No.	Finish	W mm	H mm	D mm	Sold Per
EB24	WH, CH	300	400	225	ea

W = Width H = Height D = Depth

# TANOVA

## Tanova Bucket - 20 Litre

- 20 Litre bucket
- Handles act as bag retainer
- Recyclable plastic
- Finish: White (WH), Charcoal (CH)

Part No.	Finish	W mm	H mm	D mm	Sold Per
EB20	WH, CH	384	322	244	ea

W = Width H = Height D = Depth



## Tanova Bucket - 18 Litre

- 18 Litre bucket
- Handles act as bag retainer
- Recyclable plastic
- Finish: White (WH)

Part No.	Finish	W mm	H mm	D mm	Sold Per
EB18	WH	300	340	225	ea

W = Width H = Height D = Depth



## Tanova Bucket - 12 Litre

- 12 Litre bucket
- Handles act as bag retainer
- Recyclable plastic
- Finish: White (WH)

Part No.	Finish	W mm	H mm	D mm	Sold Per
EB12	WH	225	340	225	ea

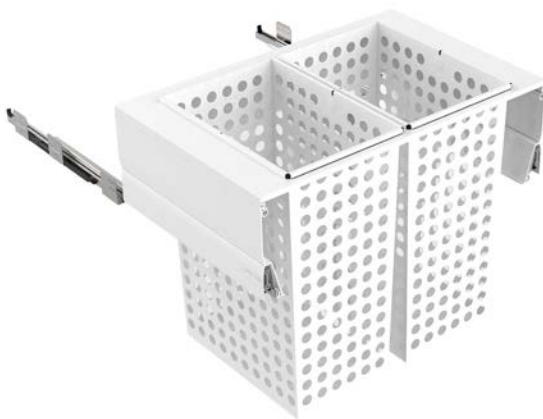
W = Width H = Height D = Depth





## 800mm Tanova Designer Series Soft Close Laundry Basket System

- Fully integrated over-extension soft-close Harn RITMA Cube drawer system
- Very quick and easy installation for modular cabinets using 16mm sides
- Optional removable dividers for sorting laundry (must be ordered separately)
- 60kg load rated soft-closing slides
- 6-way drawer front adjustment
- 2 x large 65 Litre baskets
- Powder-coated galvanised steel basket for durability
- Finish: White (WH)



## Soft Close Metal Laundry Basket System To Suit 800mm Cabinet - 2 x 65 Litre Baskets

Part No.	Finish	W mm	H mm	D mm	Sold Per
TDS80.265L	WH	767	615	510	ea

W = Internal width required H = Minimum internal height D = Minimum internal depth

# TANOVA

## 600mm Tanova Designer Series Soft Close Laundry Basket System

- Fully integrated over-extension soft-close Harn RITMA Cube drawer system
- Very quick and easy installation for modular cabinets using 16mm sides
- Optional removable dividers for sorting laundry (must be ordered separately)
- 60kg load rated soft-closing slides
- 6-way drawer front adjustment
- 1 x large 100 Litre basket
- Powder-coated galvanised steel basket for durability
- Finish: White (WH)



## Soft Close Metal Laundry Basket System To Suit 600mm Cabinet - 1 x 100 Litre Basket

Part No.	Finish	W mm	H mm	D mm	Sold Per
TDS60.1100L	WH	567	615	510	ea

W = Internal width required H = Minimum internal height D = Minimum internal depth



## Optional Divider to Suit 100L Metal Laundry Basket

Part No.	Finish	Sold Per
TBTL100.DIV	WH	ea



Blue & White Baskets; ideal for pre-wash sorting



# TANOVA

## 600mm Tanova Designer Series Soft Close Plastic Laundry Basket System

- Fully integrated over-extension soft-close Harn RITMA Cube drawer system
- Sturdy handles on buckets for easy bin removal and to hold plastic liner-bags in place
- Strong easy-clean metal cover which can be used as a shelf if mounted lower in cabinet
- Very quick and easy installation for modular cabinets using 16mm sides
- 60kg load rated soft-closing slides
- 6-way drawer front adjustment
- Finish: White (WH), Blue & White (BLUWH)



## Soft Close Laundry Hamper To Suit 600mm Cabinet 2 x 36 Litre Plastic Bucket

- Finish: Blue & White (BLUWH)

Part No.	Finish	W mm	H mm	D mm	Sold Per
LTDS60.236	BLUWH	567	615	510	ea

W = Internal width required H = Minimum internal height D = Minimum internal depth



## Soft Close Laundry Hamper To Suit 600mm Cabinet 2 x 36 Litre Plastic Bucket

- Finish: White (WH)

Part No.	Finish	W mm	H mm	D mm	Sold Per
LTDS60.236	WH	567	615	510	ea

W = Internal width required H = Minimum internal height D = Minimum internal depth





### 450mm Tanova Designer Series Soft Close Laundry Basket System

- Fully integrated over-extension soft-close Harn RITMA Cube drawer system
- Very quick and easy installation for modular cabinets using 16mm sides
- Designed for 450mm cabinet size (external width using 16mm board)
- 60kg load rated soft-closing slides
- 6-way drawer front adjustment
- 1 Large 65 Litre basket
- Optional removable dividers for sorting laundry (must be ordered separately)
- Powder-coated galvanised steel basket for durability
- Finish: White (WH)



### Soft Close Metal Laundry Basket System To Suit 450mm Cabinet - 1 x 65 Litre Basket

Part No.	Finish	W mm	H mm	D mm	Sold Per
TDS45.165L	WH	417	615	510	ea

W = Internal width required H = Minimum internal height D = Minimum internal depth



### Optional Divider To Suit 65L Metal Laundry Basket

Part No.	Finish	Sold Per
TBTL65.DIV	WH	ea

# TANOVA

## 450mm Tanova Designer Series Soft Close Plastic Laundry Basket System

- Fully integrated over-extension soft-close Harn RITMA Cube drawer system
- Sturdy handles on buckets for easy bin removal and to hold plastic liner-bags in place
- Strong easy-clean metal cover which can be used as a shelf if mounted lower in cabinet
- Very quick and easy installation for modular cabinets using 16mm sides
- 60kg load rated soft-closing slides
- 6-way drawer front adjustment
- Finish: White (WH), Blue & White (BLUWH)



## Soft Close Laundry Hamper To Suit 450mm Cabinet 2 x 36 Litre Plastic Bucket

- Finish: Blue & White (BLUWH)

Part No.	Finish	W mm	H mm	D mm	Sold Per
LTDS45.236	BLUWH	417	670	515	ea

W = Internal width required H = Minimum internal height D = Minimum internal depth



## Soft Close Laundry Hamper To Suit 450mm Cabinet 2 x 36 Litre Plastic Bucket

- Finish: White (WH)

Part No.	Finish	W mm	H mm	D mm	Sold Per
LTDS45.236	WH	417	670	515	ea

W = Internal width required H = Minimum internal height D = Minimum internal depth





TANOVA

## 400mm Tanova Designer Series Soft Close Plastic Laundry Basket System

- Fully integrated over-extension soft-close Harn RITMA Cube drawer system
- Sturdy handles on buckets for easy bin removal
- Strong easy-clean metal cover which can be used as a shelf if mounted lower in cabinet
- Very quick and easy installation for modular cabinets using 16mm sides
- 60kg load rated soft-closing slides
- 6-way drawer front adjustment
- Finish: White (WH), Blue & White (BLUWH)



## Soft Close Laundry Hamper To Suit 400mm Cabinet 1 x 36 Litre Plastic Bucket

- Finish: White (WH)

Part No.	Finish	W mm	H mm	D mm	Sold Per
LTDS40.136	WH	367	670	510	ea

W = Internal width required H = Minimum internal height D = Minimum internal depth

# TANOVA

## 350mm Tanova Designer Series Soft Close Plastic Laundry Basket System

- Fully integrated over-extension soft-close Harn RITMA Cube drawer system
- Sturdy handles on buckets for easy bin removal
- Strong easy-clean metal cover which can be used as a shelf if mounted lower in cabinet
- Very quick and easy installation for modular cabinets using 16mm sides
- 60kg load rated soft-closing slides
- 6-way drawer front adjustment
- Finish: White (WH), Blue & White (BLUWH)



## Soft Close Laundry Hamper To Suit 350mm Cabinet 1 x 36 Litre Plastic Bucket

- Finish: White (WH)

Part No.	Finish	W mm	H mm	D mm	Sold Per
LTDS35.136	WH	317	670	510	ea

W = Internal width required H = Minimum internal height D = Minimum internal depth





TANOVA

### 450mm Simplex Soft Close Laundry Bucket System

- Soft Close feature as standard
- Quick and easy installation
- Designed for 450mm cabinet size (external width using 16mm board)
- Ideally suited to vanities and or wardrobes due to 370mm depth
- Heavy duty bin carriage manufactured from 1.2 mm gauge steel for added strength and durability
- Top and side screw fixing points for snug fit in standard cabinet sizes
- The unit over-extends allowing for easy removal of the laundry hamper
- 45kg load capacity
- Finish: Blue & White (BLUWH), White (WH)



### Soft Close Plastic Laundry Bucket System To Suit 450mm Cabinet - 1 x 36L Bucket

Part No.	Finish	W mm	H mm	D mm	Sold Per
LTS45.136	WH	417	670	355	ea

W = Internal width required H = Minimum internal height D = Minimum internal depth



### Soft Close Plastic Laundry Bucket System To Suit 450mm Cabinet - 1 x 36L Bucket

Part No.	Finish	W mm	H mm	D mm	Sold Per
LTS45.136	BLUWH	417	670	355	ea

W = Internal width required H = Minimum internal height D = Minimum internal depth

# TANOVA

## 300mm Simplex Soft Close Laundry Bucket System

- Soft Close feature as standard
- Quick and easy installation
- Designed for 300mm cabinet size (external width using 16mm board)
- Heavy duty bin carriage manufactured from 1.2 mm gauge steel for added strength and durability
- Top and side screw fixing points for snug fit in standard cabinet sizes
- The unit over-extends allowing for easy removal of the laundry hamper
- 45kg load capacity
- Finish: Blue & White (BLUWH), White (WH)



## Soft Close Plastic Laundry Bucket System To Suit 300mm Cabinet - 1 x 36L Bucket

- Finish: White (WH)

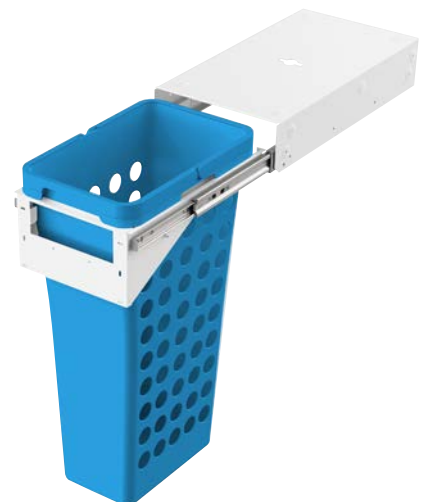


Part No.	Finish	W mm	H mm	D mm	Sold Per
LTS30.136	WH	267	664	455	ea

W = Internal width required H = Minimum internal height D = Minimum internal depth

## Soft Close Plastic Laundry Bucket System To Suit 300mm Cabinet - 1 x 36L Bucket

- Finish: Blue & White (BLUWH)



Part No.	Finish	W mm	H mm	D mm	Sold Per
LTS30.136	BLUWH	267	664	455	ea

W = Internal width required H = Minimum internal height D = Minimum internal depth

[www.dorsetaustralia.com.au](http://www.dorsetaustralia.com.au)



TANOVA

**Head Office & Distribution Centre:** 143 Allingham Street,  
Golden Square VIC 3555, Australia

**Postal Address:** PO Box 2290, Bendigo VIC 3554

**Phone:** 1300 121 800 | **Fax:** 1300 121 850  
**Email:** [hello@dorsetaustralia.com.au](mailto:hello@dorsetaustralia.com.au)