

2026

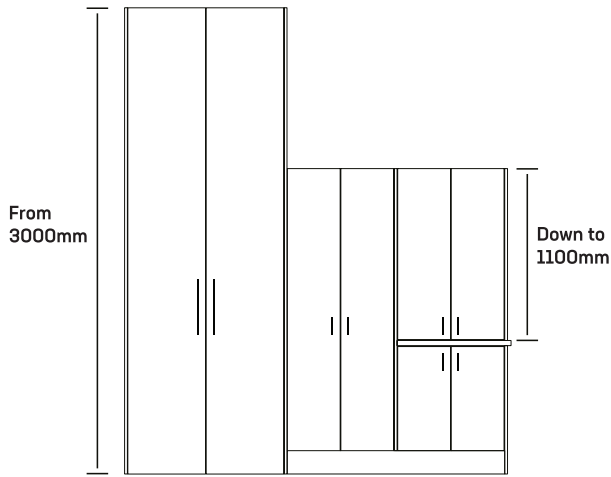
# Salice Exedra Gravity Pocket Door System



**SALICE**

# Exedra Gravity

- Height from 1100mm to 3000mm
- Door Width from 300 - 900mm
- Tiny 55mm pocket width
- Doors thickness from 10 to 30mm
- Door weight up to 40 kg
- Nickel or Titanium finish hinge kits
- Out (Push) and In (Pull) options
- Hinge kits in both Smove soft closing and Push to open for handle-less doors



# “BEST POCKET DOOR SYSTEM ON THE MARKET!”

**UNMATCHED FLEXIBILITY:** Widest parameter range available, accommodating door heights from 1100mm to 3000mm

**EXCEPTIONAL FUNCTIONALITY:** Fluid and smooth motion assisted by magnetic dampers designed to control the speed of movement

**SUPER EASY INSTALLATION:** Attaches directly to the cabinet side in just a few simple steps

**AMAZINGLY SIMPLE:** NO CABLES, NO PULLEYS, NO SPRINGS, NO TIE-RODS - JUST GRAVITY!



## Design Flexibility

- Height from 1100mm to 3000mm
- Door width from 300 - 900mm
- Door thickness from 10 to 30mm
- Door weight up to 40 kg

## Reliability

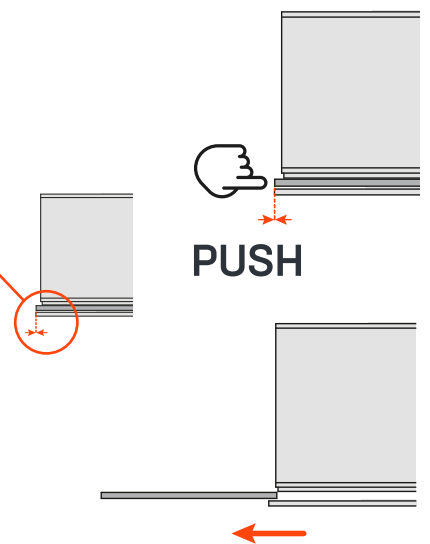
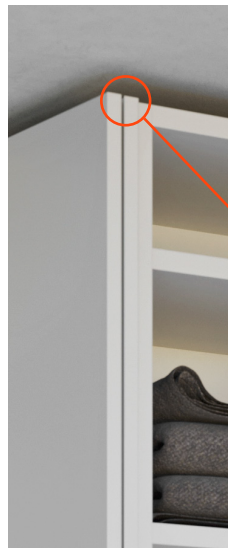
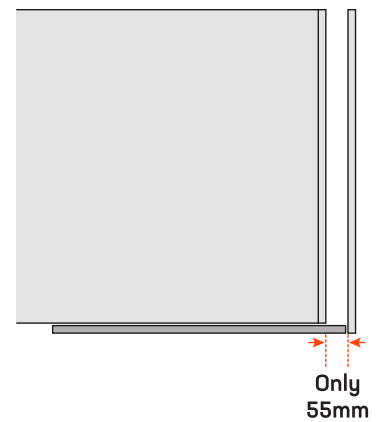
- Manufactured in a state-of-the-art facility in Safforze, Italy
- Successfully passed internal testing of 100,000 cycles

Only  
*Made in Italy*  
 Since 1926

## Slim 55mm cavity

The concealed sliding mechanism of Exedra Gravity is contained within a tiny 55mm wide cavity.

This compact design saves precious space whilst also allowing for easy adjustment and access to the mechanism itself without disassembling the cabinet



## Flush!

**NEW & IMPROVED** - With the new Exedra Gravity 'OUT' system it is possible to configure the system so that the door fully retracts into the cavity when open

Once fully retracted simply give the door a light touch and it will extend all the way out using nothing other than the magic of gravity!



## Online Configurator

The Salice Online Configurator streamlines every stage of a pocket door project, from design through to installation. It provides clear instructions and video tutorials, helping determine the correct set up for any space. By entering door and cabinet dimensions, the system automatically calculates the required components, improving accuracy and saving time.

The configurator also generates detailed drilling and installation instructions and allows you to download customised 2D (DXF) and 3D (STEP) files, ensuring precise integration into your specific project requirements.





### Mechanism Kits - IN Automatic door insertion

- The doors retract in with a smooth and balanced motion in response to a gentle push
- For cutting and assembly operations, please refer to the online configurator

Part No.	Description	Door height (TH)	Per
SAL.VE53ASAR1675NN	Right	1100 - 1600mm	kit
SAL.VE53ASAL1675NN	Left	1100 - 1600mm	kit
SAL.VE53ASAR3090NN	Right	1601 - 3000mm	kit
SAL.VE53ASAL3090NN	Left	1601 - 3000mm	kit



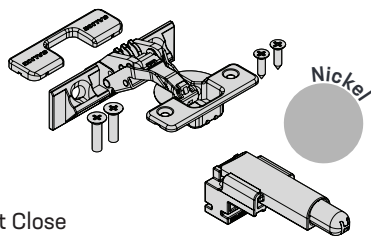
### Mechanism Kits - OUT Automatic door extraction

- Doors slide out from within the cabinet with assisted motion, activated by a light touch
- For cutting and assembly operations, please refer to the online configurator

Part No.	Description	Door height (TH)	Per
SAL.VE53ASBR1675NN	Right	1100 - 1600mm	kit
SAL.VE53ASBL1675NN	Left	1100 - 1600mm	kit
SAL.VE53ASBR3090NN	Right	1601 - 3000mm	kit
SAL.VE53ASBL3090NN	Left	1601 - 3000mm	kit

### Smove Soft Close Hinge Kits Nickel Plated

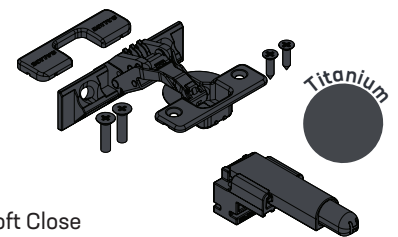
- Kit includes 1 x Smove Soft Close



Part No.	Finish	Number of hinges	Per
SAL.VE55KITCS040AB	Nickel Plated	2	kit
SAL.VE55KITCS030AB	Nickel Plated	3	kit
SAL.VE55KITCS020AB	Nickel Plated	4	kit
SAL.VE55KITCS010AB	Nickel Plated	5	kit
SAL.VE55KITCS050AB	Nickel Plated	6	kit

### Smove Soft Close Hinge Kits Titanium

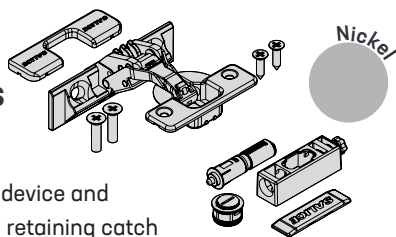
- Kit includes 1 x Smove Soft Close



Part No.	Finish	Number of hinges	Per
SAL.VE55KITCS040TB	Titanium	2	kit
SAL.VE55KITCS030TB	Titanium	3	kit
SAL.VE55KITCS020TB	Titanium	4	kit
SAL.VE55KITCS010TB	Titanium	5	kit
SAL.VE55KITCS050TB	Titanium	6	kit

### Push to Open Hinge Kits Nickel Plated

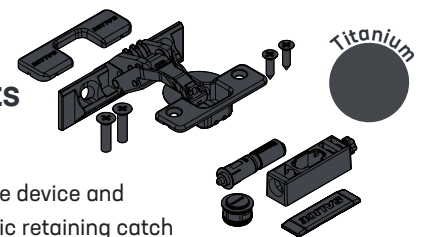
- Kit includes 1 x Release device and 1 x Adjustable magnetic retaining catch



Part No.	Finish	Number of hinges	Per
SAL.VE55KITCP040AB	Nickel Plated	2	kit
SAL.VE55KITCP030AB	Nickel Plated	3	kit
SAL.VE55KITCP020AB	Nickel Plated	4	kit
SAL.VE55KITCP010AB	Nickel Plated	5	kit
SAL.VE55KITCP050AB	Nickel Plated	6	kit

### Push to Open Hinge Kits Titanium

- Kit includes 1 x Release device and 1 x Adjustable magnetic retaining catch



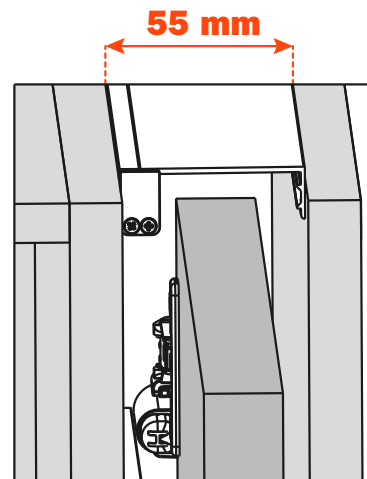
Part No.	Finish	Number of hinges	Per
SAL.VE55KITCP040TB	Titanium	2	kit
SAL.VE55KITCP030TB	Titanium	3	kit
SAL.VE55KITCP020TB	Titanium	4	kit
SAL.VE55KITCP010TB	Titanium	5	kit
SAL.VE55KITCP050TB	Titanium	6	kit

# SALICE

## Single Door Side Panel Connector Kits

- Innovative new 2-part design that simply slides together with a removable plastic H profile
- Finish: Black

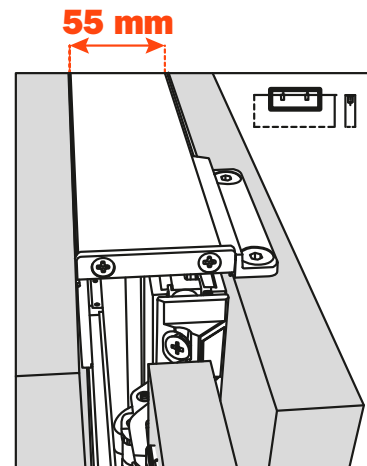
Part No.	Size	Per
SAL.VE53APK000137A	300 - 420mm	ea
SAL.VE53APK000237A	420 - 540mm	ea
SAL.VE53APK000337A	540 - 660mm	ea
SAL.VE53APK000437A	660 - 780mm	ea
SAL.VE53APK000537A	780 - 900mm	ea



## Single Door Side Panel Connector Kits - Screw-On

- Original screw on design
- Finish: Aluminium & Grey

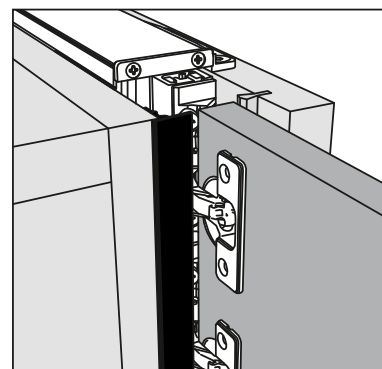
Part No.	Size	Per
SAL.VE55KIT0001	370 - 650mm	ea
SAL.VE55KIT0002	650 - 900mm	ea



## Profile Cover Strips

- Simply cut to length and slide onto the clips
- Finish: Grey, Black, White

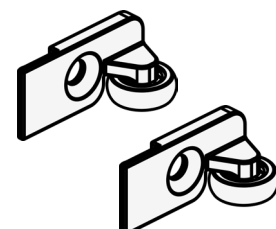
Part No.	Colour	Length	Per
SAL.VE55KIT0201	Grey	2600mm	ea
SAL.VE55KIT0202	Black	2600mm	ea
SAL.VE55KIT0203	White	2600mm	ea
SAL.VE55KIT0204	Grey	3000mm	ea
SAL.VE55KIT0205	Black	3000mm	ea
SAL.VE55KIT0206	White	3000mm	ea



## Roller Guide for Framed Doors

- Supplementary roller guide for aluminium-framed glass doors and framed wooden doors

Part No.	Per
SAL.VE55KIT0040S	set



[www.dorsetaustralia.com.au](http://www.dorsetaustralia.com.au)



**Head Office & Distribution Centre:** 143 Allingham Street,  
Golden Square VIC 3555, Australia

**Postal Address:** PO Box 2290, Bendigo VIC 3554

**Phone:** 1300 121 800 | **Fax:** 1300 121 850  
**Email:** [hello@dorsetaustralia.com.au](mailto:hello@dorsetaustralia.com.au)

