

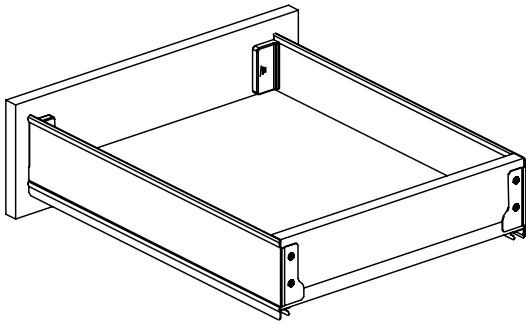
2024

---

# UltraSlim™ Drawer System



**UltraSlim™**



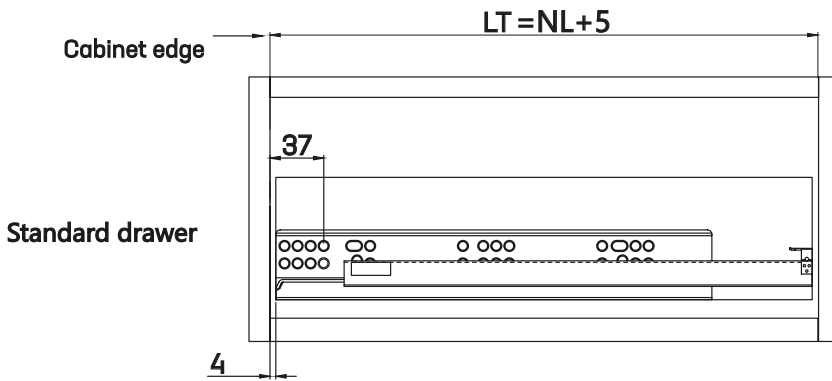
### UltraSlim 90 Drawer

- Single-layer UltraSlim wall drawer with full-extension synchronized slide
- Drawer side 90mm
- Load capacity of 30kg
- Quick assembly & disassembly
- Silent runners
- Box Qty: 5 sets

### Kit Part No. Codes

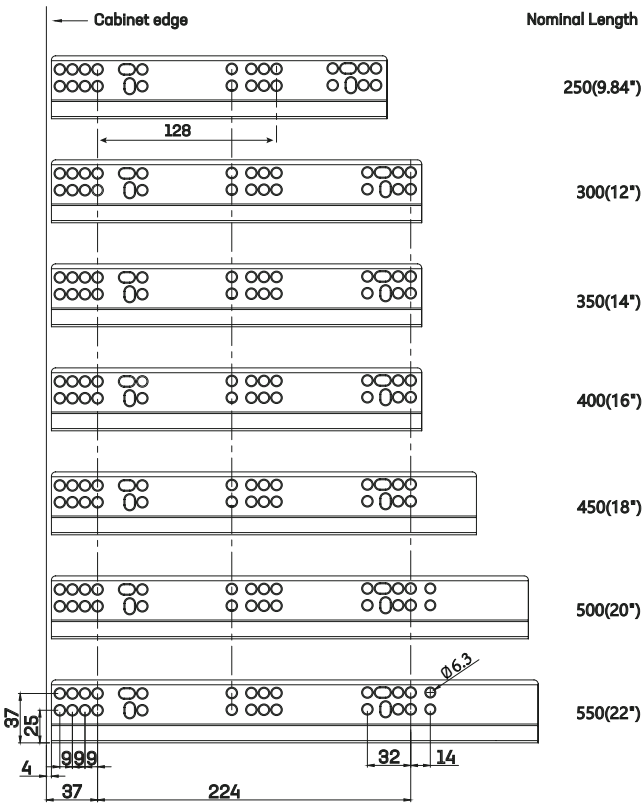
Part No.	Finish	Length	Weight	Pallet Qty	Sold Per
USD9025.MWH	Matt White	250mm	30kg	180	set
USD9030.MWH	Matt White	300mm	30kg	180	set
USD9035.MWH	Matt White	350mm	30kg	150	set
USD9040.MWH	Matt White	400mm	30kg	120	set
USD9045.MWH	Matt White	450mm	30kg	120	set
USD9050.MWH	Matt White	500mm	30kg	120	set
USD9055.MWH	Matt White	550mm	30kg	120	set

# UltraSlim™

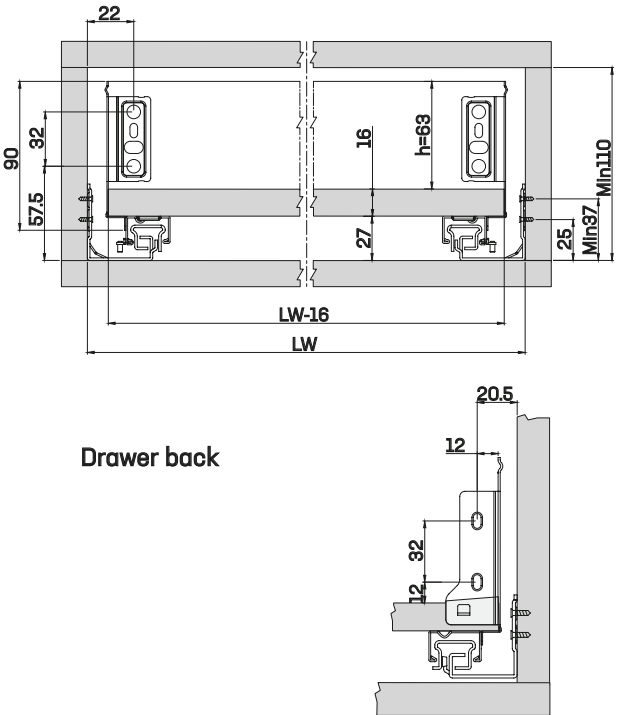


Key:  
 NL = Nominal Side Length  
 LT = Inside Cabinet Depth

## Runner Installation



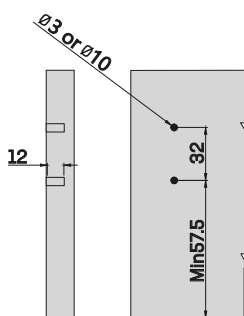
## Internal Width of Cabinet



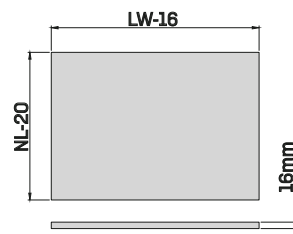
Drawer back

## Panel Cutting Dimensions

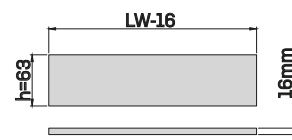
Drawer Front

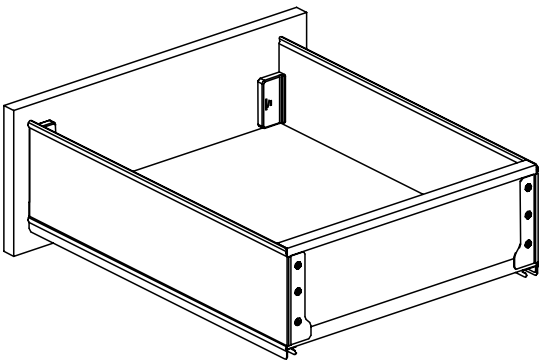


Drawer Bottom



Drawer Back





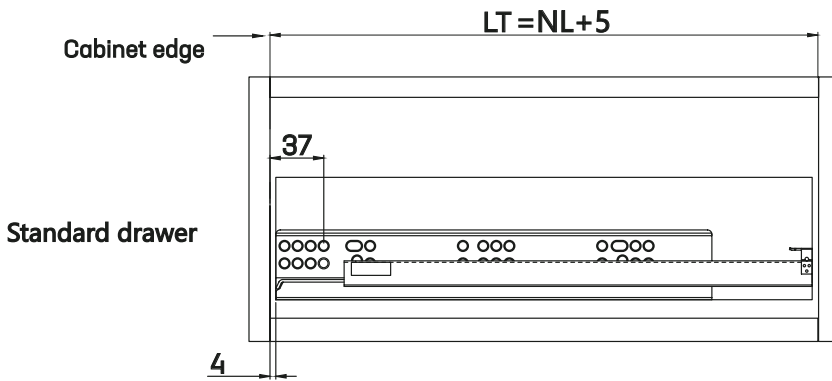
### UltraSlim 128 Drawer

- Single-layer UltraSlim wall drawer with full-extension synchronized slide
- Drawer side 128mm
- Load capacity of 30kg
- Quick assembly & disassembly
- Silent runners
- Box Qty: 5 sets

### Kit Part No. Codes

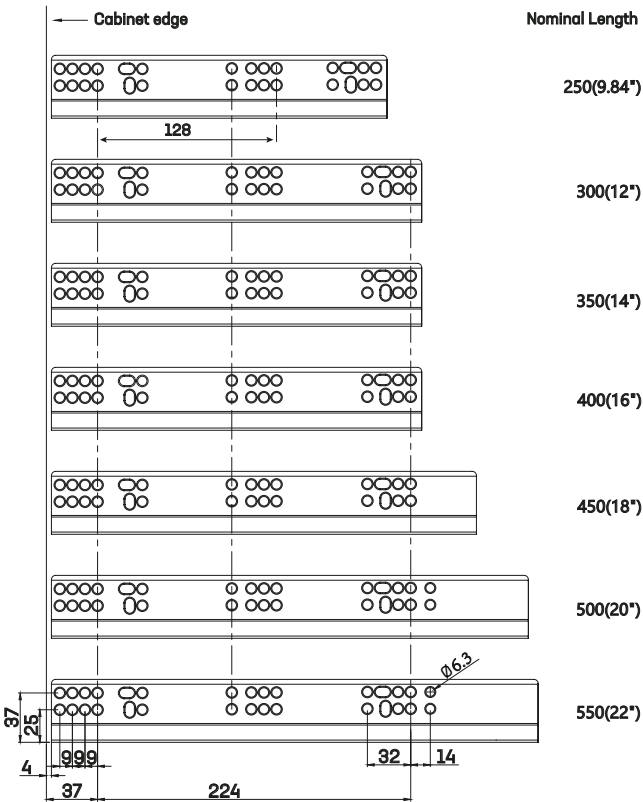
Part No.	Finish	Length	Weight	Pallet Qty	Sold Per
USD12825.MWH	Matt White	250mm	30kg	165	set
USD12830.MWH	Matt White	300mm	30kg	165	set
USD12835.MWH	Matt White	350mm	30kg	150	set
USD12840.MWH	Matt White	400mm	30kg	105	set
USD12845.MWH	Matt White	450mm	30kg	105	set
USD12850.MWH	Matt White	500mm	30kg	105	set
USD12855.MWH	Matt White	550mm	30kg	90	set

# UltraSlim™

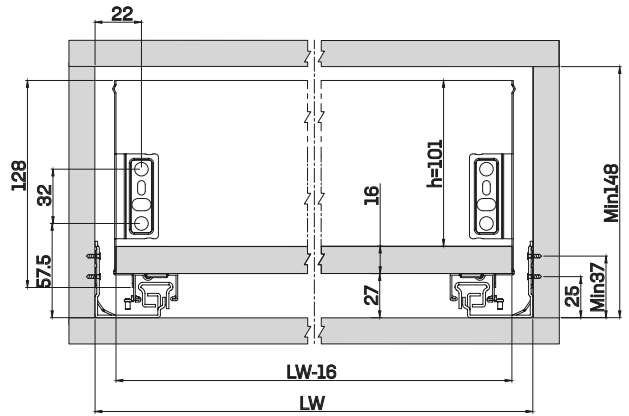


Key:  
 NL = Nominal Side Length  
 LT = Inside Cabinet Depth

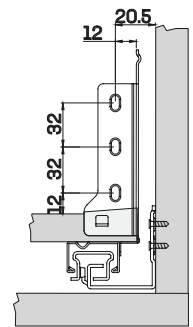
## Runner Installation



## Internal Width of Cabinet

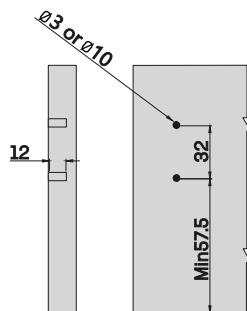


## Drawer back

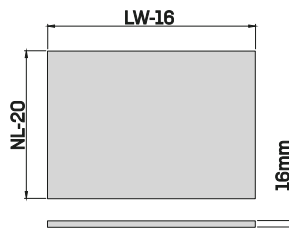


## Panel Cutting Dimensions

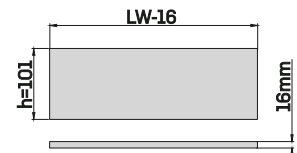
### Drawer Front

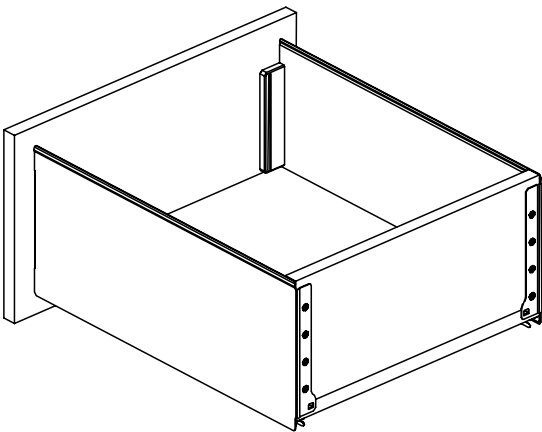


### Drawer Bottom



### Drawer Back





### UltraSlim 175 Drawer

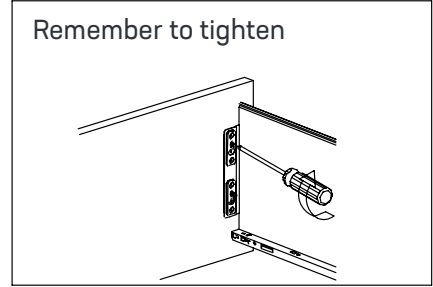
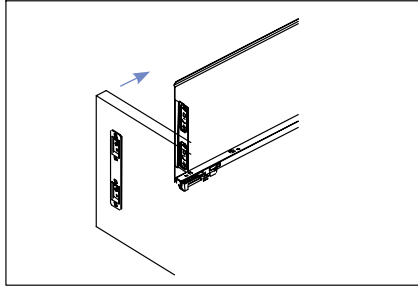
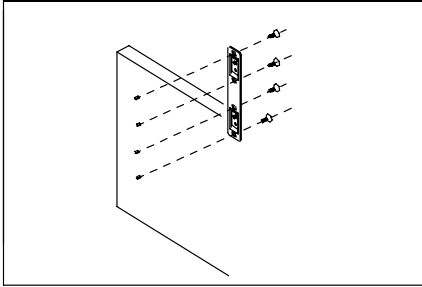
- Single-layer UltraSlim wall drawer with full-extension synchronized slide
- Drawer side 175mm
- Load capacity of 30kg
- Quick assembly & disassembly
- Silent runners
- Box Qty: 5 sets

### Kit Part No. Codes

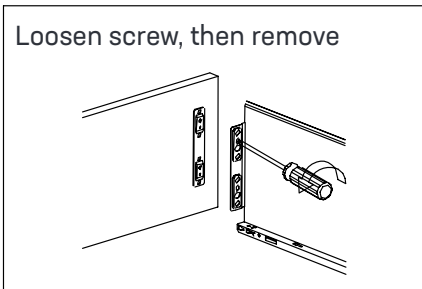
Part No.	Finish	Length	Weight	Pallet Qty	Sold Per
USD17525.MWH	Matt White	250mm	30kg	135	set
USD17530.MWH	Matt White	300mm	30kg	135	set
USD17535.MWH	Matt White	350mm	30kg	120	set
USD17540.MWH	Matt White	400mm	30kg	90	set
USD17545.MWH	Matt White	450mm	30kg	90	set
USD17550.MWH	Matt White	500mm	30kg	90	set
USD17555.MWH	Matt White	550mm	30kg	50	set



## Mounting Front Fixing Brackets

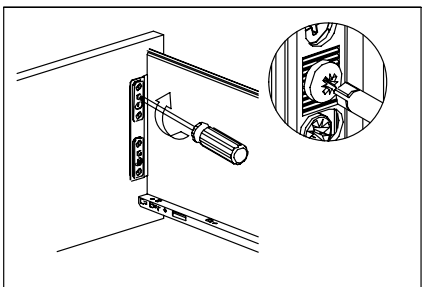


## Removing Front Fixing Brackets

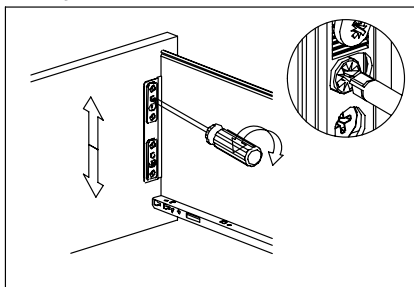


## Front Panel Height Adjustment $\pm 2\text{mm}$

Loosen second fastening screw

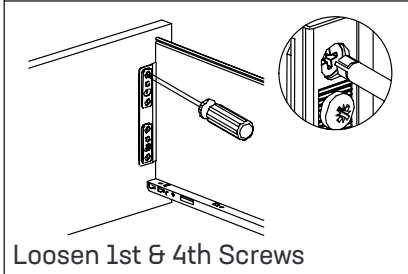


Loosen/tighten third screw to adjust

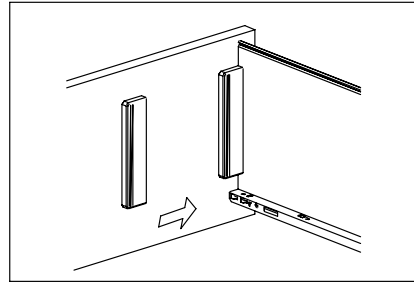


# UltraSlim™

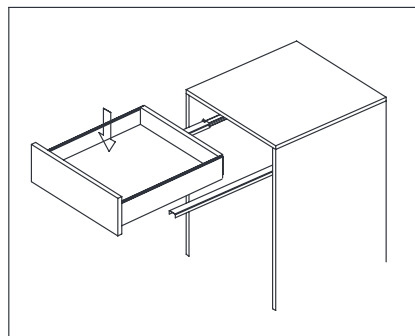
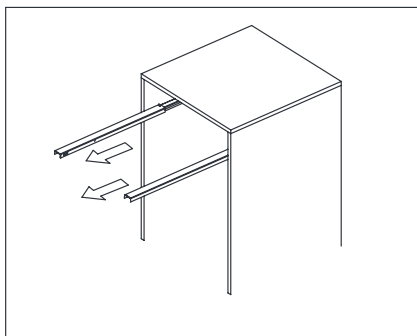
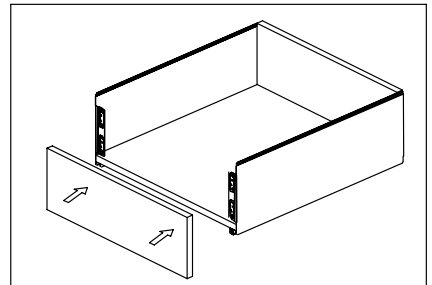
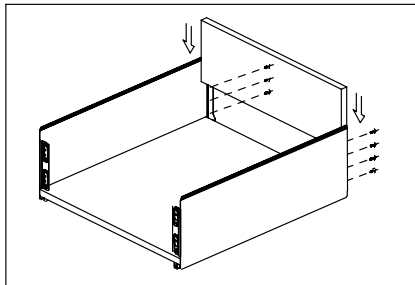
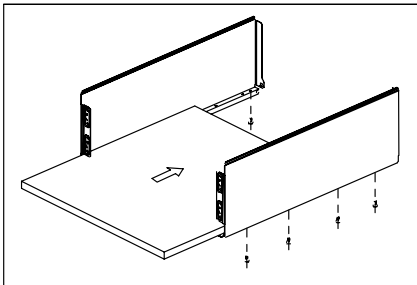
## Front Left & Right Panel Adjustment ±1mm



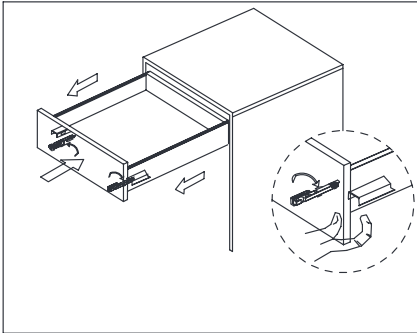
## Put on Cover



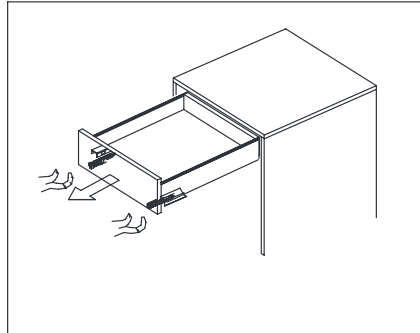
## Assembling & Mounting the Drawer



## Removing the Drawer

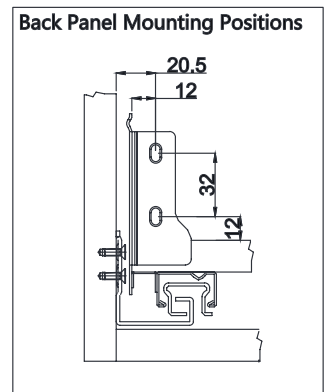
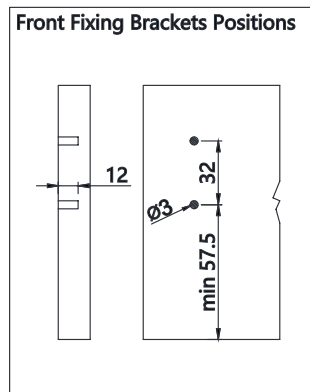
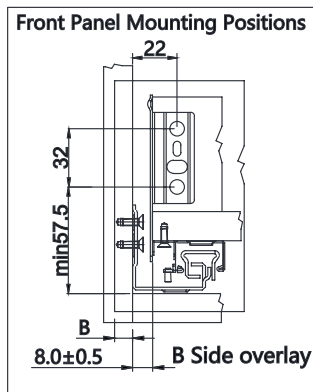
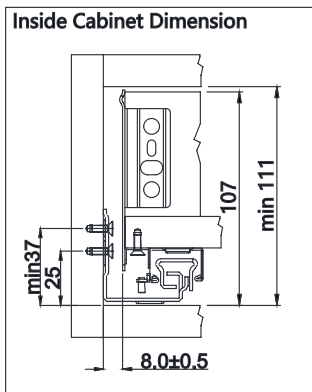


Pull out the drawer & un-clip the buckle

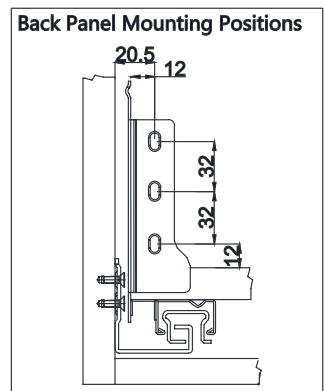
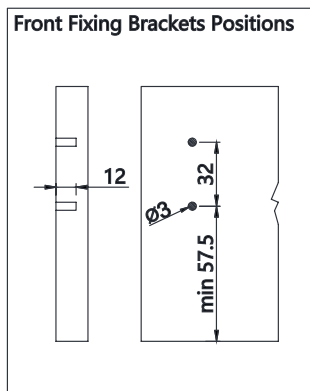
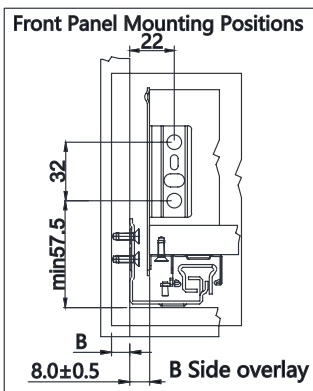
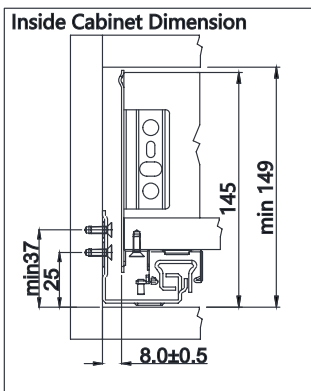


This should release the drawer, so you can carefully lift it out.

## 90 Drawer Module Box Assembly



## 128 Drawer Module Box Assembly





[www.dorsetaustralia.com.au](http://www.dorsetaustralia.com.au)



**UltraSlim™**

**Head Office & Distribution Centre:** 143 Allingham Street,  
Golden Square VIC 3555, Australia

**Postal Address:** PO Box 2290, Bendigo VIC 3554

**Phone:** 1300 121 800 | **Fax:** 1300 121 850  
**Email:** [hello@dorsetaustralia.com.au](mailto:hello@dorsetaustralia.com.au)